



- 额定电流最高达 200A
Rated currents up to 200A
- 高衰减性能滤波器
High attenuation filtering performance
- 专为抑制直流电源线的噪声设计
Special designed for noise on DC power line suppression
- 安规认证: **CE**

特点 Features

- 高性能直流滤波器 紧凑、嵌入式/螺母/接线
High performance compact DC filter with faston/nut/wire terminal
- 通用、小巧、方便安装
General purpose, compact, easy for installation and use

应用 Application

- 用于大多数数字设备（尤其是开关电源）可用来抑制连续或间隙性脉冲干扰
For digital systems(particularly for switching power supplies) to suppress the continuity or intermittent pulse interference

技术参数 Technical Data

额定电压 Rated Voltage	0~250VDC
工作频率 Operation Frequency	DC
额定电流 Rated Current	1-200A
耐压测试 Hi-pot Test	1450VDC 2sec (线对线 Line to Line) 2250VDC 2sec (线对地 Line to Ground)
气候类别 Climate Category	25/85/21 (-25°C to +85°C)
设计参考标准 Design corresponding to	UL 1283, CSA 22.2 No. 8 1986, IEC/EN 60939

电路原理图 Electrical Schematic

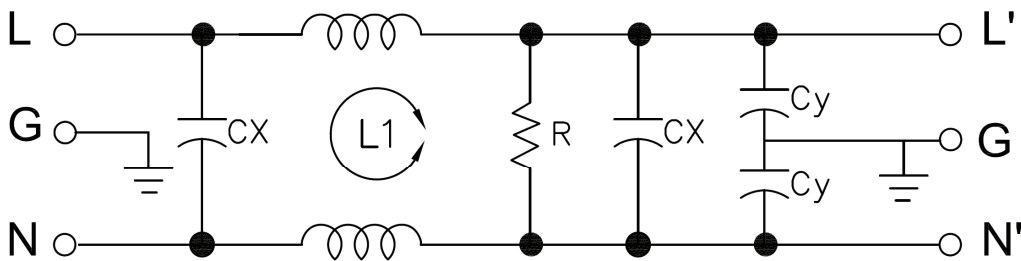


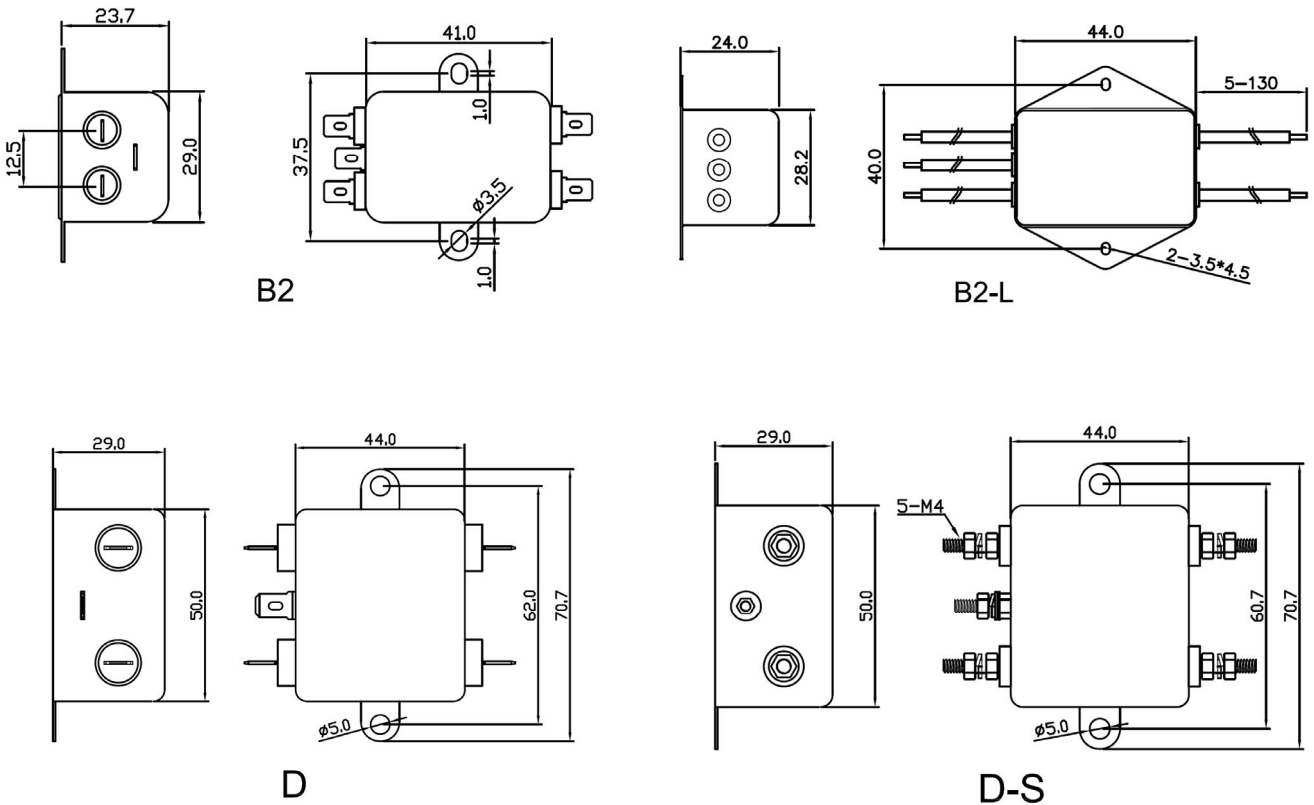
Fig 1

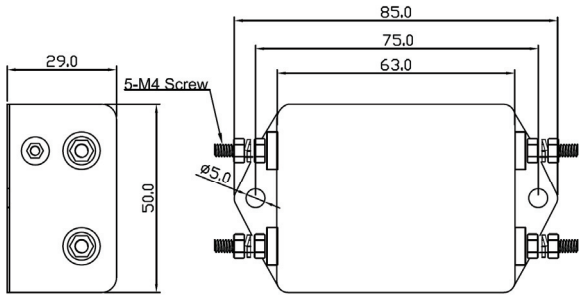
选型表 Type Selection Table

型号 Model	额定电流(A) Rated Current	泄漏电流(≤mA) Leakage Current	电路图 Circuit Diagram	外形尺寸 Dim. Fig.	出线端子方式 Output Connection		
							
DF201-1A-01Z	1	0.5	Fig 1	B2 / B2-L	Standard	L	-
DF201-3A-01Z	3	0.5	Fig 1	B2 / B2-L	Standard	L	-
DF201-6A-01Z	6	0.5	Fig 1	B2 / B2-L	Standard	L	-
DF201-10A-01Z	10	0.5	Fig 1	D / B2-L	Standard	L	S (M4)
DF201-15A-01Z	15	0.5	Fig 1	D	Standard	-	S (M4)
DF201-20A-01Z	20	0.5	Fig 1	E	Standard	-	S (M4)
DF201-25A-01Z	25	0.5	Fig 1	E2-S	-	-	M4
DF201-30A-01Z	30	0.5	Fig 1	H2	-	-	M6
DF201-40A-01Z	40	0.5	Fig 1	H2	-	-	M6
DF201-50A-01Z	50	0.5	Fig 1	H2	-	-	M6
DF201-60A-01Z	60	0.5	Fig 1	H2	-	-	M6
DF201-75A-01Z	75	0.5	Fig 1	N5	-	-	M8
DF201-100A-01Z	100	0.5	Fig 1	N5	-	-	M8
DF201-120A-01Z	120	0.5	Fig 1	N5	-	-	M8
DF201-150A-01Z	150	0.5	Fig 1	N10	-	-	M10
DF201-200A-01Z	200	0.5	Fig 1	N10	-	-	M10

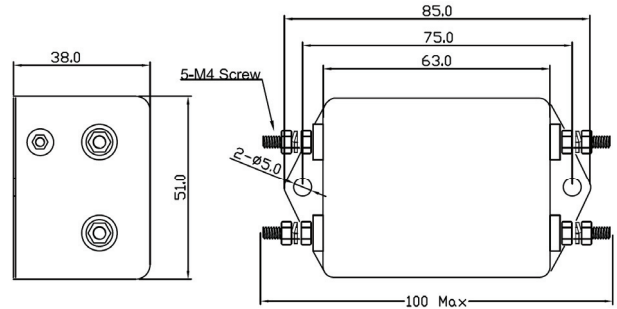
Remark: Optional connection type. Standard is Faston connection, L type refer to Wire connection, S type refer to Screw connection
 出线方式可选，标准为快速插片端子，加 L 为接线出线方式，加 S 为螺丝接线方式 “-” 表示无此出线方式

外形尺寸 Outline Dimensions(mm)

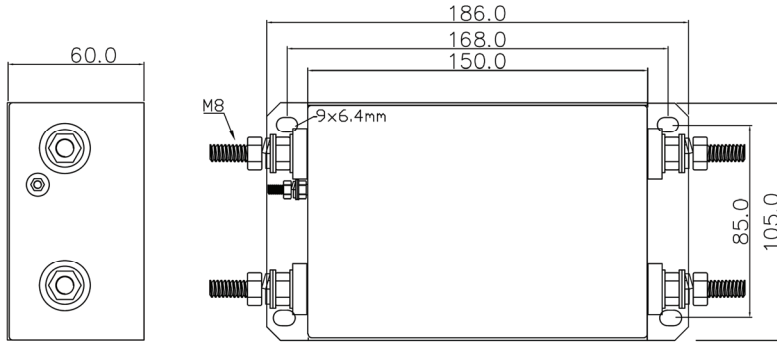




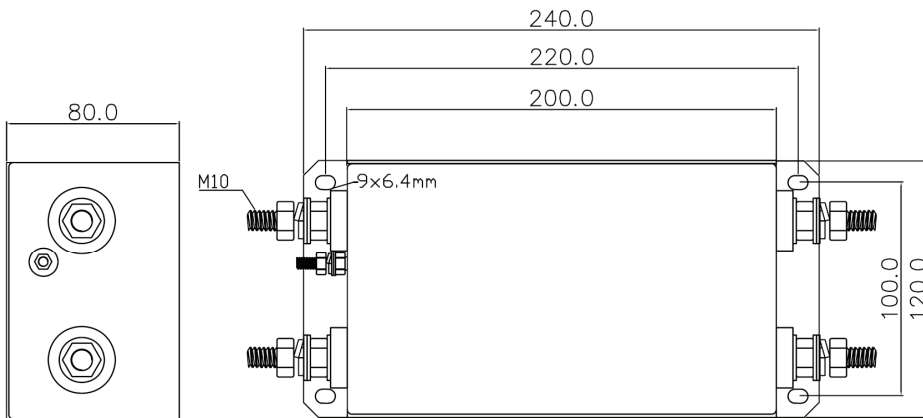
E-S



E2-S



N5



N10

插入损耗 Insertion Loss in dB

(50Ω/50Ω 环境下插入损耗 Insertion Loss in dB measured in a 50Ω/50Ω system, as IEC/CISPR No. 17)

A=Differential mode (差模)

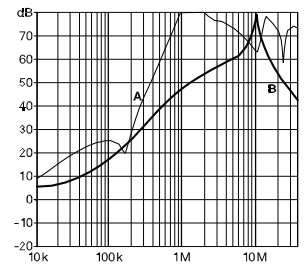
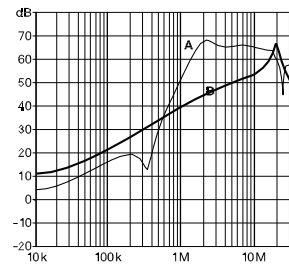
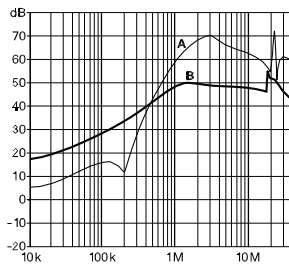
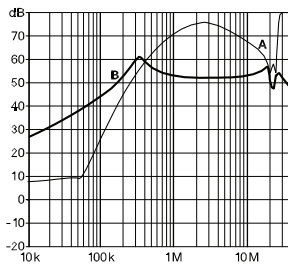
B=Common Mode(共模)

1 to 10 A types

20 to 30A types

40 to 100A type

120A to 200A type



备注：以上规格为公司标准产品，可根据客户产品定制设计产品性能和尺寸外观。

Remark: Customized products are available according to special performance or dimensions requirements

更多产品请登陆官方网站: <http://www.dephir.com>

For more products please go to official website: <http://www.dephir.com>